

Protective Caps for Plugs

C37-603-_____

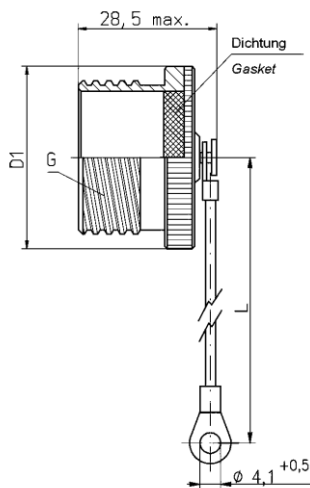
To suit connector plugs to series:

MIL-C38999 Series III; JN1034; CECC75-201-002; EN3645-001; BS9520G0003; VG95319-100x

Cap Styles with attachment options

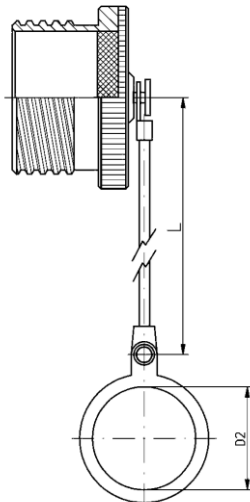
Style -1

Cap with rope and eyelet



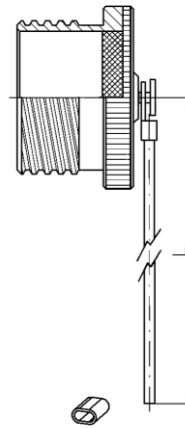
Bauform / Style -2

Cap with rope and ring



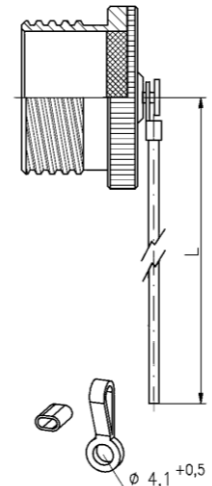
Style -3

Cap with rope and crimp sleeve



Style -4

Cap with rope, crimp sleeve and terminal link



How to order

Basic part number

Shell size code

Material- & Plating option

Cap Style

Rope material

Rope length code

Table

1

1

4

Siehe oben

See above

2

3

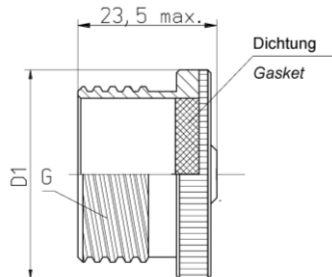
C37-603-3 5 1 A 03

➔ Example: C37-603-3 5 1 A 03 ➔ Protective Cap for Plugs, size 13, electroless nickel, eyelet, Polyamide rope, length 125 mm

Cap Styles without attachment options

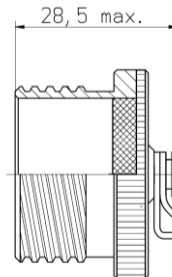
Style –WA

Without attachment



Style –WR

Without rope, with eyelet



How to order		Table	C37-603-3 5 WA
Basic part number	1	_____	_____
Shell size code	1	_____	_____
Material- & Plating option	4	_____	_____
Cap Style	See above	_____	_____

Table 1: Basic part number and shell size code

Basic Part number and shell size code	Shell size	D1 max	D2 min	Thread Class 2A 0.1P-0.3L-TS
C37-603-1 _____	09 (A)	22,9	12,9	0.6250
C37-603-2 _____	11 (B)	28,0	17,8	0.7500
C37-603-3 _____	13 (C)	30,5	19,3	0.8750
C37-603-4 _____	15 (D)	31,8	22,6	1.0000
C37-603-5 _____	17 (E)	36,8	25,6	1.1875
C37-603-6 _____	19 (F)	38,1	29,0	1.2500
C37-603-7 _____	21 (G)	41,9	32,0	1.3750
C37-603-8 _____	23 (H)	44,5	34,0	1.5000
C37-603-9 _____	25 (J)	48,3	38,3	1.6250

All dimensions in mm

Table 2: Rope material

<i>Order code</i>	<i>Rope material</i>
A	<i>Polyamide, black coloured</i>
B	<i>SST wire rope, black, PTFE jacketed</i>

Table 3: Rope length

<i>Length code</i>	<i>Available lengths in mm</i>
01	75
02	100
03	125
04	150
05	200
06	250
07	300
08	400

Table 4: Material and Plating option

<i>Material & Plating code</i>	<i>Base Material</i>	<i>Plating finish</i>	<i>Salt spray resistance</i>	<i>ROHS-/REACH Compatible</i>	<i>Electrically conductive</i>
5	<i>Aluminum alloy</i>	<i>Electroless nickel</i>	48 h	YES	YES
2	<i>Aluminum alloy</i>	<i>ZnNi, black</i>	500 h	YES	YES
6	<i>Aluminum alloy</i>	<i>Cadmium olive drab</i>	500+h	NO	YES
H	<i>Aluminum alloy</i>	<i>Hard anodized, black</i>	500+h	YES	NO
9	Marine Bronze	-	<i>unlimited</i>	YES	YES
1	<i>Stainless Steel</i>	<i>Passivated</i>	<i>unlimited</i>	YES	YES

Protective Caps for Receptacles

C37-604-_____

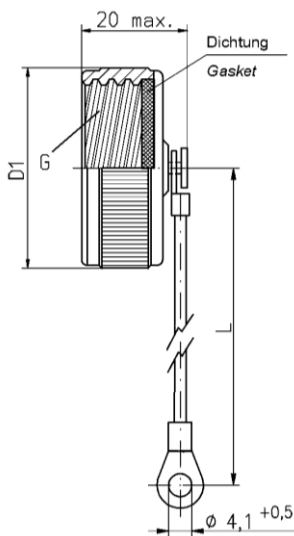
To suit connector receptacles to series:

MIL-C38999 Series III; JN1034; CECC75-201-002; EN3645-001; BS9520G0003; VG95319-100x

Cap Styles with attachment options

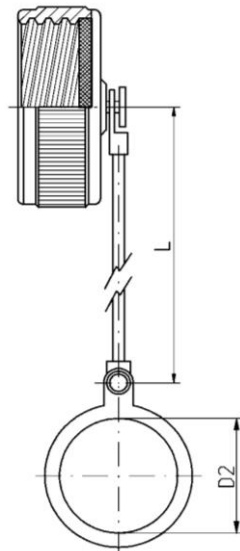
Style -1

Cap with rope and eyelet



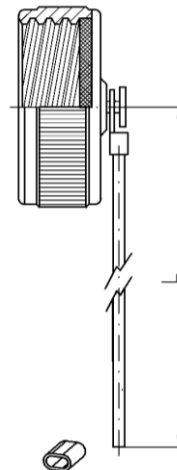
Style -2

Cap with rope and ring



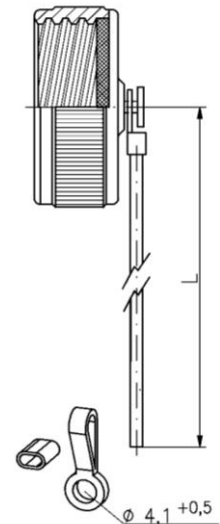
Style -3

Cap with rope and crimp sleeve



Style -4

Cap with rope, crimp sleeve and terminal link



How to order

Basic part number

Shell size code

Material- & Plating option

Cap Style

Rope material

Rope length code

Table

1

1

4

See above

2

3

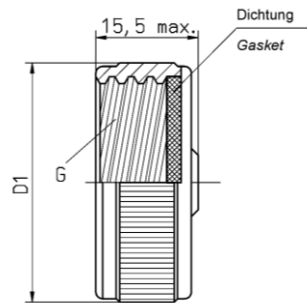
C37-604-3 5 1 A 03

➔ Example: C37-604-3 5 1 A 03 → Protective Cap for Receptacles, size 13, electroless nickel, eyelet, Polyamide rope, length 125 mm

Cap Styles without attachment options

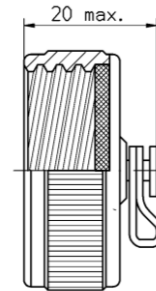
Style –WA

Without attachment



Style –WR

Without rope, with eyelet



How to order	Table	C37-604-3 5 WA
Basic part number	1	_____
Shell size code	1	_____
Material- & Plating option	4	_____
Cap Style	See above	_____

Table 1: Basic part number and shell size code

Basic Part number and shell size code	Shell size	D1 max	D2 min	Thread Class 2A 0.1P-0.3L-TS
C37-604-1 _____	09 (A)	22,9	17,6	0.6250
C37-604-2 _____	11 (B)	28,0	22,0	0.7500
C37-604-3 _____	13 (C)	30,5	25,1	0.8750
C37-604-4 _____	15 (D)	31,8	29,9	1.0000
C37-604-5 _____	17 (E)	36,8	32,0	1.1875
C37-604-6 _____	19 (F)	38,1	36,3	1.2500
C37-604-7 _____	21 (G)	41,9	38,3	1.3750
C37-604-8 _____	23 (H)	44,5	42,6	1.5000
C37-604-9 _____	25 (J)	48,3	44,5	1.6250

All dimensions in mm

Table 2: Rope material

<i>Order code</i>	<i>Rope material</i>
A	<i>Polyamide, black coloured</i>
B	<i>SST wire rope, black, PTFE jacketed</i>

Table 3: Rope length

<i>Length code</i>	<i>Available lengths in mm</i>
01	75
02	100
03	125
04	150
05	200
06	250
07	300
08	400

Table 4: Material and Plating option

<i>Material & Plating code</i>	<i>Base Material</i>	<i>Plating finish</i>	<i>Salt spray resistance</i>	<i>ROHS-/REACH Compatible</i>	<i>Electrically conductive</i>
5	<i>Aluminum alloy</i>	<i>Electroless nickel</i>	48 h	YES	YES
2	<i>Aluminum alloy</i>	<i>ZnNi, black</i>	500 h	YES	YES
6	<i>Aluminum alloy</i>	<i>Cadmium olive drab</i>	500+h	NO	YES
H	<i>Aluminum alloy</i>	<i>Hard anodized, black</i>	500+h	YES	NO
9	Marine Bronze	-	<i>unlimited</i>	YES	YES
1	<i>Stainless Steel</i>	<i>Passivated</i>	<i>unlimited</i>	YES	YES