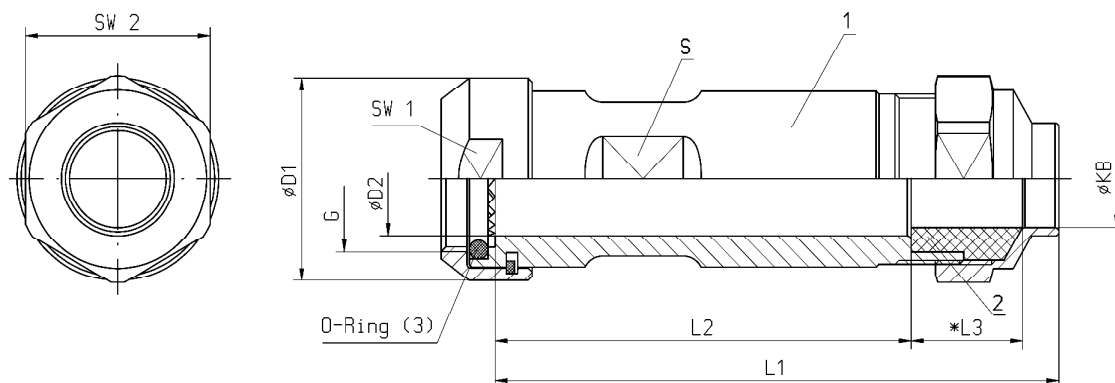


Adaptor with cable gland: A37-906- _ _ _

To suit connector series: MIL-DTL-38999 Series III; JN1034; CECC75-201-002;
EN3645-001 BS9520 G0003 ; VG95319-10xx



*L3: A proof cable assembly requires a circular closed cable sheath all over the length (L3) of the sealing grommet.

Shell Size	EMCA Part No	ØD1 ± 0,2	ØD2 - 0,2	L1 max.	L2 ± 0,2	L3 - 0,5	G	S (2x)	SW 1	SW 2	KB Clamping range	Anzugsdrehmoment Fastening Torque SW 1 Nm
13 (C)	A37-906-AH3	25,0	14,3	65,0	44,5	14,0	M18x1	19	23	23	4-6	10 ± 1
13 (C)	A37-906-BH3	25,0	14,3	65,0	44,5	14,0	M18x1	19	23	23	6-8	10 ± 1
13 (C)	A37-906-XH3	25,0	14,3	65,0	44,5	14,0	M18x1	19	23	23	7-9	10 ± 1
13 (C)	A37-906-CH3	25,0	14,3	65,0	44,5	14,0	M18x1	19	23	23	8-10	10 ± 1
13 (C)	A37-906-DH3	25,0	14,3	65,0	44,5	14,0	M18x1	19	23	23	10-11,6	10 ± 1
15 (D)	A37-906-CH4	29,0	18,1	65,0	44,5	14,0	M22x1	23	27	23	8-10	10 ± 1
15 (D)	A37-906-DH4	29,0	18,1	65,0	44,5	14,0	M22x1	23	27	23	10-11,6	10 ± 1
17 (E)	A37-906-DH5	32,0	21,3	65,0	41,5	14,0	M25x1	26	30	23	10-11,6	12 ± 1

Dimensions in mm

Product Specification

- Gehäuse (1): Aluminium Legierung, hart anodisiert, schwarz eingefärbt (elektrisch nicht leitend)
- Shell (1): Aluminum alloy, hard anodized, black coloured (electrically nonconductive)
- Dichteinsatz (2): VMQ / braun eingefärbt, mit Verdrehsicherung
- Sealing grommet (2): VMQ / brown coloured, with lock against rotation
- O-Ring (3): VMQ rot eingefärbt
- O-Ring (3): VMQ red coloured
- Schutzart: IP 68, im angegebenen Klemmbereich
- Protection type: IP, 68 in the space of clamping range
- Salznebelbeständigkeit: 500h min.
- Salt spray resistance: 500h min.
- Einsatztemperatur: -65°C bis +200°C
- Operating temperature: -65°C up to +200°C