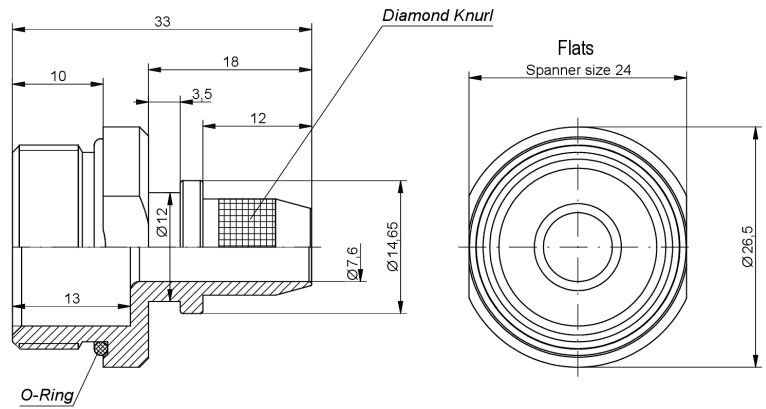


**Banding Backshell:  
S97-905-0X6**

To suit connector series:  
Amphenol RJFTV Plugs



Maße im mm/Dimensions in mm

**Applications:**

- Termination of screened and braided cables.
- For high level shielding effectiveness.
- Environmental sealing performance acc. to VG 95319-1011.



X in EMCA Teile-Nr. X in Part No.	Basismaterial Base Material	Oberflächenbehandlung Plating finish
S97-905-056	Aluminium Legierung Aluminum alloy	Stromlos vernickelt Electroless nickel, 48h salt spray resistance
S97-905-066	Aluminium Legierung Aluminum alloy	Cd grün chromatiert Cadmium olive drab, 500h+ salt spray resistance
S97-905-0H6	Aluminium Legierung Black Anodized	Schwarz eloxiert Black anodized, 500h+ salt spray resistance
S97-905-05S6	Aluminium Legierung Aluminum alloy	Plating finish: Electroless Nickel inside Black coating outside, except thread and banding area Salt spray resistance: - 48 hrs. inside - 500 hrs. in fully assembled condition