

Screened Flange Gasket : FD38-391-Y0x

for Jam Nut Connector Receptacles to series:

MIL-DTL-38999

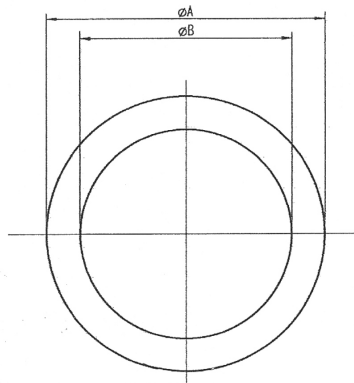
MIL-DTL-26482

VG95319-1007

VG 96912

VG 95328

Advantages: High shielding effectiveness and watertight



Material: Fluorsilicone with Ni/C conductive filler

Temperature range: -55° to +160°

Colour : Grey

75±7 Shore Hardness

RoHS-compatible

REACH-compatible

Größe: Size:	EMCA Teile Nr. Part No.	A ±0,3	B ±0,3	T Dicke Thickness ±0,2
8	FD38-391-Y00	21,0	17,0	1,6
9/10	FD38-391-Y01	24,0	20,0	1,6
11/12	FD38-391-Y02	29,0	25,0	1,6
13/14	FD38-391-Y03	32,0	28,0	1,6
15/16	FD38-391-Y04	35,0	31,0	1,6
17/18	FD38-391-Y05	38,5	34,5	1,6
19/20	FD38-391-Y06	43,0	37,0	2,3
21/22	FD38-391-Y07	46,0	40,0	2,3
23/24	FD38-391-Y08	50,0	44,0	2,3
25	FD38-391-Y09	53,0	47,0	2,3

Maße in **mm** / Dimensions in **mm**