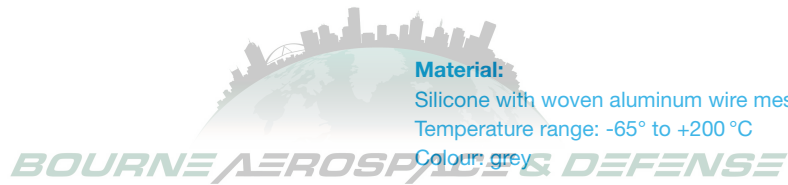
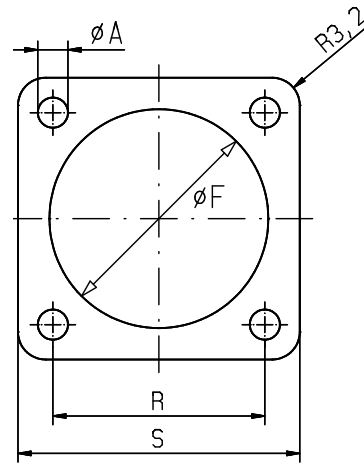
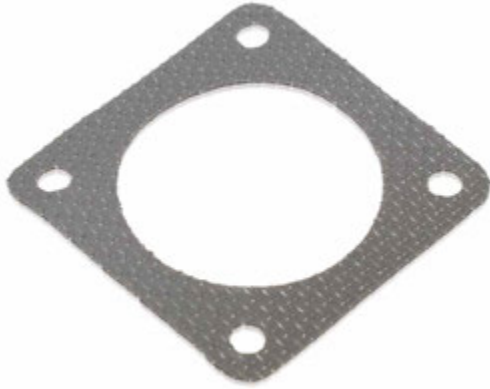


Screened Flange Gasket:

F39-450-3 _ _

To suit square flange connector receptacles to series:

MIL-C-38999 Serie I und III; JN1034; EN3645-001; BS9520G0003;
VG95319-100x



Material:

Silicone with woven aluminum wire mesh screen

Temperature range: -65° to +200 °C

Colour: grey

Recommended Closing (Sealing) Force:

30-55 N/cm²

Größe: Shell Size:	EMCA Teile-Nr. Part No.	A 0 -0,3	F +0,4 0	R ±0,25	S ±0,25	T Dicke Thickness ±0,1
9	F39-450-301	3,5	15,88	18,26	23,83	0,51
11	F39-450-302	3,5	19,05	20,65	26,19	0,51
13	F39-450-303	3,5	22,23	23,01	28,56	0,51
15	F39-450-304	3,5	25,40	24,61	30,96	0,51
17	F39-450-305	3,5	30,16	27,00	34,80	0,51
19	F39-450-306	3,5	31,75	29,36	36,53	0,51
21	F39-450-307	3,5	34,93	31,75	39,70	0,51
23	F39-450-308	4,5	38,10	34,93	42,88	0,51
25	F39-450-309	4,5	41,50	38,10	46,50	0,51

Maße im mm/Dimensions in mm