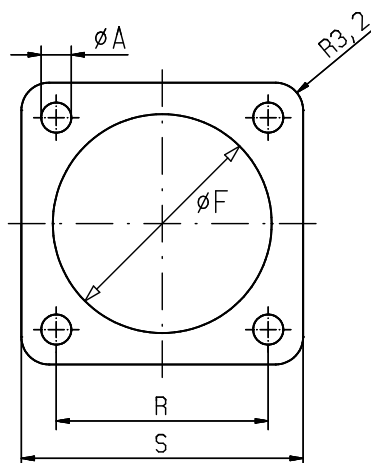


## Screened Flange Gasket:

**F39-450-2** \_ \_

To suit square flange connector receptacles to series:

MIL-C-38999 Serie I und III; JN1034; EN3645-001; BS9520G0003;  
VG95319-100x



### Advantage:

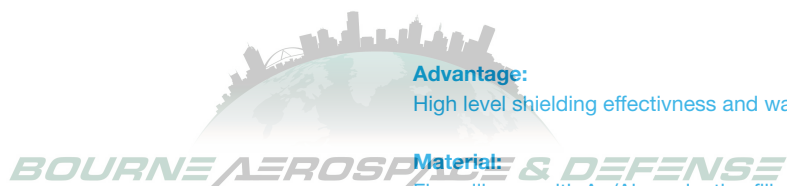
High level shielding effectiveness and watertight.

### Material:

Fluorsilicone with Ag/Al conductive filler

Temperature range: -55 ° to +200 °C

Colour: grey-blue



Größe: Shell Size:	EMCA Teile-Nr. Part No.	A 0 -0,3	F +0,4 0	R ±0,25	S ±0,25	T Dicke Thickness ±0,1
9	F39-450-201	3,5	15,88	18,26	23,83	0,51
11	F39-450-202	3,5	19,05	20,65	26,19	0,51
13	F39-450-203	3,5	22,23	23,01	28,56	0,51
15	F39-450-204	3,5	25,40	24,61	30,96	0,51
17	F39-450-205	3,5	30,16	27,00	34,80	0,51
19	F39-450-206	3,5	31,75	29,36	36,53	0,51
21	F39-450-207	3,5	34,93	31,75	39,70	0,51
23	F39-450-208	4,5	38,10	34,93	42,88	0,51
25	F39-450-209	4,5	41,50	38,10	46,50	0,51

Maße im mm/Dimensions in mm