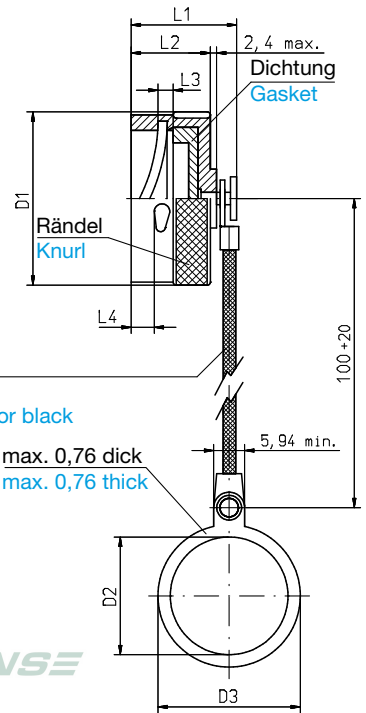


Protective Cap for Receptacles:

C19-566- _ _ _

To suit jam nut connector receptacles to series:

VG95328; MIL-DTL-26482 Series I&II



Rope: DIN 83307-E-1,5-PA
design: coloured broncegreen or black

Größe: Shell Size:	EMCA Teile-Nr. Part No.	D1 max	D2 min	D3 max	L1 max	L2 max	L3 +0,25 -0,38	L4 max
8	C19-566-0x1	18,7	14,68	20,62	21,5	14,3	2,92	3,78
10	C19-566-0x2	21,9	17,86	25,40	21,5	14,3	2,92	3,78
12	C19-566-0x3	25,4	22,63	30,18	21,5	14,3	2,92	3,78
14	C19-566-0x4	28,6	25,81	36,53	21,5	14,3	2,92	3,78
16	C19-566-0x5	31,8	28,98	39,67	21,5	14,3	2,92	3,78
18	C19-566-0x6	35,0	32,16	42,88	21,5	14,3	2,92	3,78
20	C19-566-0x7	38,1	35,33	46,02	21,5	14,3	2,92	3,78
22	C19-566-0x8	41,3	38,51	49,23	21,5	14,3	2,92	3,78
24	C19-566-0x9	44,5	41,68	52,37	22,3	15,3	3,73	2,21

Maße im mm/Dimensions in mm

X in EMCA Teile-Nr. X in Part No.	Basismaterial Base Material	Oberflächenbehandlung Plating finish
C19-566-*5*	Aluminium Legierung Aluminum alloy	Stromlos vernickelt Electroless nickel
C19-566-*6*	Aluminium Legierung Aluminum alloy	Cd grün chromatiert Cadmium olive drab

Please contact the factory for other available plating finishes

Material and Plating Finish Specification

Material and Plating Finish	Code	RoHS Compliant
Stainless steel passivated electrically conductive salt spray resistant	xxx-xxx-x1x	ja yes
Aluminum ZnNi black chromate electrically conductive min. 500hr salt spray resistant	xxx-xxx-x2x	ja yes
Aluminum black anodized electrically non-conductive 96hr salt spray resistant	xxx-xxx-x3x	ja yes
Aluminum electroless nickel electrically conductive min. 48hr salt spray resistant	xxx-xxx-x5x	ja yes
Aluminum cadmium olive drab electrically conductive min. 500hr salt spray resistant	xxx-xxx-x6x	nein no
Aluminum Heavy Nickel min. 96hr salt spray resistant	xxx-xxx-x8x	ja yes
Marine Nickel Aluminum Bronze electrically conductive salt spray resistant	xxx-xxx-x9x	ja yes



Please contact the factory for other available plating finishes.