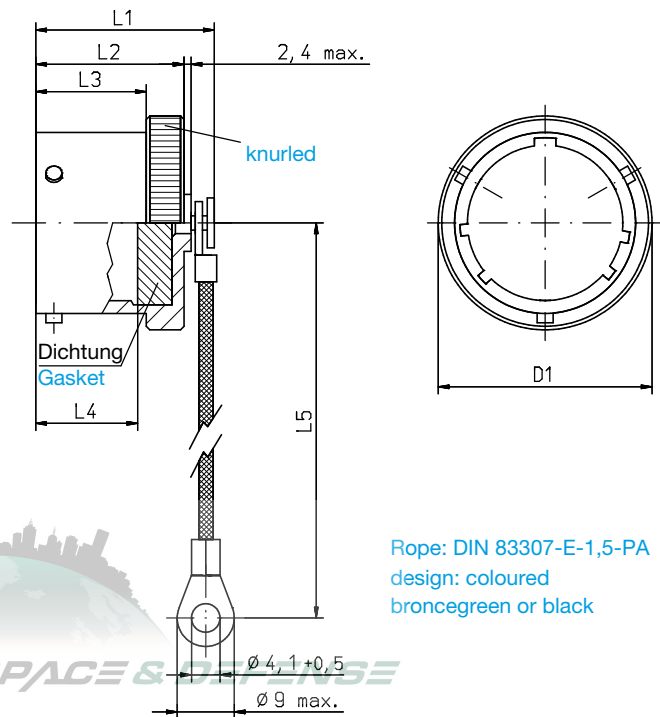


**Protective Cap for Plugs:**  
**C19-418- \_ \_ \_**

To suit connector plugs to series:  
VG95328; MIL-DTL-26482 Series I&II



BOURNE AEROSPACE & DEFENCE

Größe: Shell Size:	EMCA Teile-Nr. Part No.	D1 max	L1 max	L2 max	L3 +0,8	L4 +0,25 -0,5	L5 +13 -7
8	C19-418-0x1	18,3	19,9	14,3	9,35	8,3	77
10	C19-418-0x2	21,5	19,9	14,3	9,35	8,3	77
12	C19-418-0x3	25,4	19,9	14,3	9,35	8,3	89
14	C19-418-0x4	28,6	19,9	14,3	9,35	8,3	89
16	C19-418-0x5	31,8	19,9	14,3	9,35	8,3	89
18	C19-418-0x6	35,0	19,9	14,3	9,35	8,3	89
20	C19-418-0x7	38,1	21,5	15,9	10,92	9,9	102
22	C19-418-0x8	41,3	21,5	15,9	10,92	9,9	102
24	C19-418-0x9	44,5	22,3	16,7	11,76	9,9	102

Maße im mm/Dimensions in mm

X in EMCA Teile-Nr. X in Part No.	Basismaterial Base Material	Oberflächenbehandlung Plating finish
C19-418-*5*	Aluminium Legierung Aluminum alloy	Stromlos vernickelt Electroless nickel
C19-418-*6*	Aluminium Legierung Aluminum alloy	Cd grün chromatiert Cadmium olive drab

Please contact the factory for other available plating finishes

## Material and Plating Finish Specification

Material and Plating Finish	Code	RoHS Compliant
Stainless steel passivated electrically conductive salt spray resistant	xxx-xxx-x1x	ja yes
Aluminum ZnNi black chromate electrically conductive min. 500hr salt spray resistant	xxx-xxx-x2x	ja yes
Aluminum black anodized electrically non-conductive 96hr salt spray resistant	xxx-xxx-x3x	ja yes
Aluminum electroless nickel electrically conductive min. 48hr salt spray resistant	xxx-xxx-x5x	ja yes
Aluminum cadmium olive drab electrically conductive min. 500hr salt spray resistant	xxx-xxx-x6x	nein no
Aluminum Heavy Nickel min. 96hr salt spray resistant	xxx-xxx-x8x	ja yes
Marine Nickel Aluminum Bronze electrically conductive salt spray resistant	xxx-xxx-x9x	ja yes

Please contact the factory for other available plating finishes.