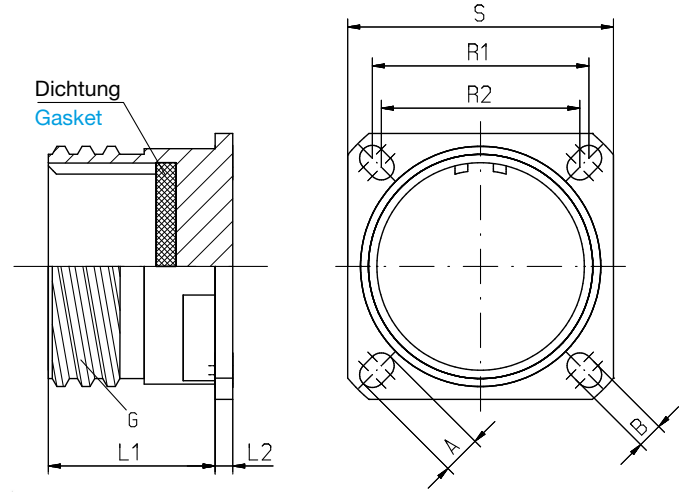


Dummy Receptacle:

B39-639- _ _

To suit plug connectors to series:

MIL-DTL-38999 Serie III; VG95319-1008; JN1034; CECC75-201-002



Größe: Shell Size:	EMCA Teile-Nr. Part No.	L1 +0,51	L2 ±0,25	R1 Theor. (TP)	R2 Theor. (TP)	S ±0,25	A +0,2 -0,15	B +0,2 -0,15	G Thread Size Class 2A 0.1P-0.3L-TS
9	B39-639-0x1	20,88	2,49	18,26	15,09	23,83	5,49	3,25	0.6250
11	B39-639-0x2	20,88	2,49	20,62	18,26	26,19	4,93	3,25	0.7500
13	B39-639-0x3	20,88	2,49	23,01	20,62	28,58	4,93	3,25	0.8750
15	B39-639-0x4	20,88	2,49	24,61	23,01	30,96	4,93	3,25	1.0000
17	B39-639-0x5	20,88	2,49	26,97	24,61	33,32	4,93	3,25	1.1875
19	B39-639-0x6	20,88	2,49	29,36	26,97	36,53	4,93	3,25	1.2500
21	B39-639-0x7	20,09	3,18	31,75	29,36	39,67	4,93	3,25	1.3750
23	B39-639-0x8	20,09	3,18	34,93	31,75	42,88	6,15	3,91	1.5000
25	B39-639-0x9	20,09	3,18	38,10	34,93	46,02	6,15	3,91	1.6250

Maße in mm/Dimensions in mm

X in EMCA Teile-Nr. X in Part No.	Basismaterial Base Material	Oberflächenbehandlung Plating finish
B39-639-*5*	Aluminium Legierung Aluminum alloy	Stromlos vernickelt Electroless nickel
B39-639-*6*	Aluminium Legierung Aluminum alloy	Cd grün chromatiert Cadmium olive drab
B39-639-*9*	Marine Bronze Marine Bronze	- -
B39-639-*1*	Edelstahl-nichtrostend Stainless Steel	Passiviert Passivated

Please contact the factory for other available plating finishes